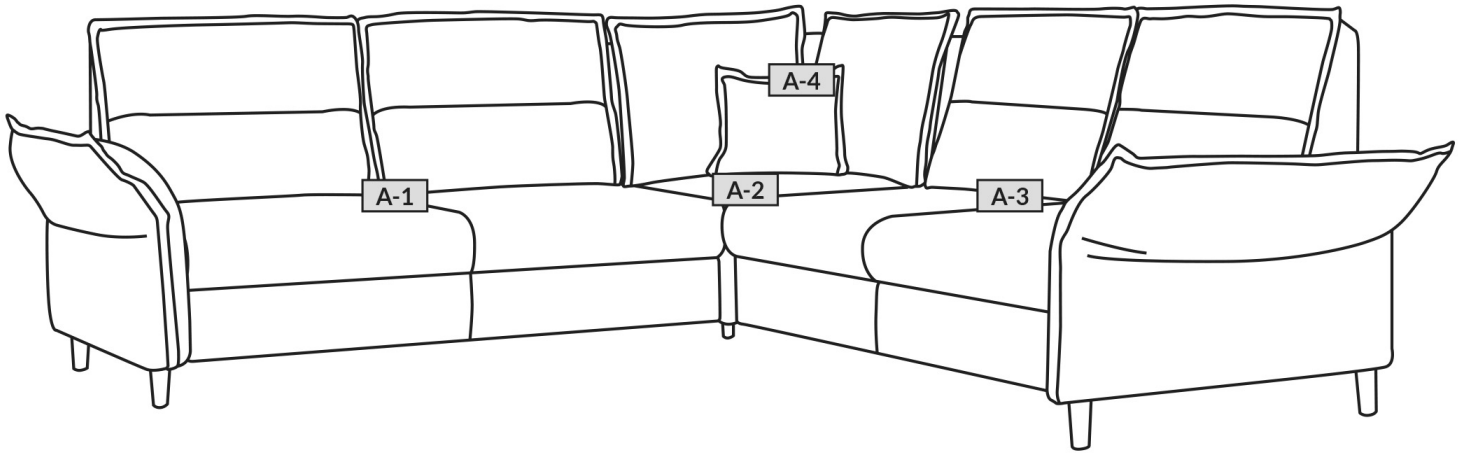
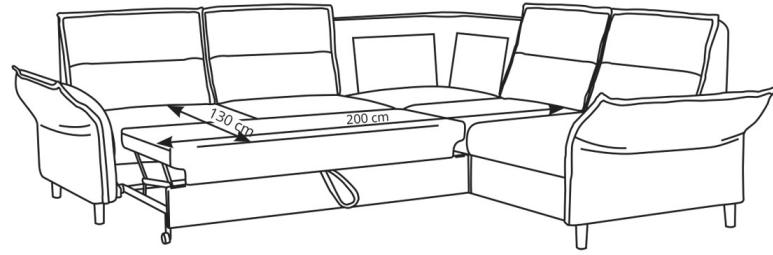
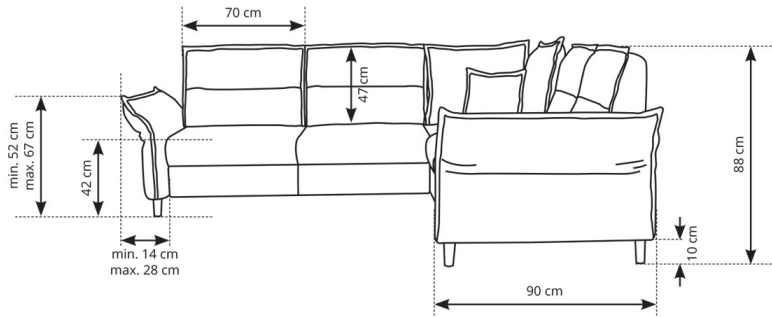
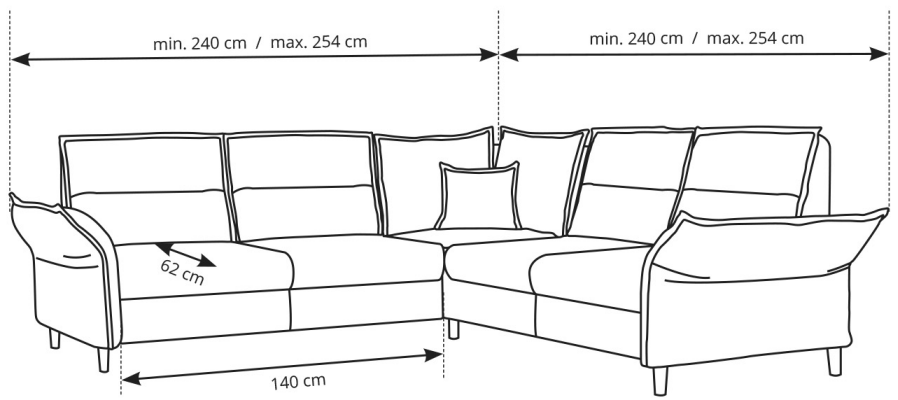
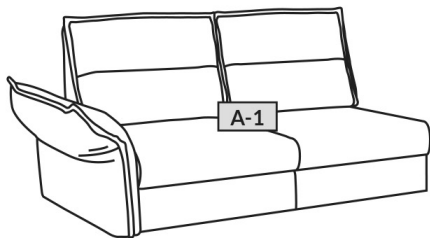


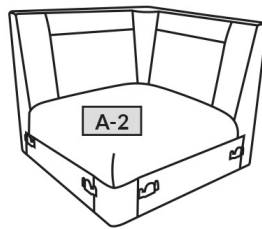
# MILAN 2



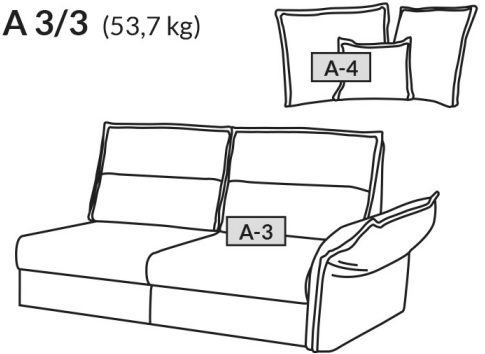
**A 1/3** (70,6 kg)



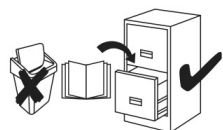
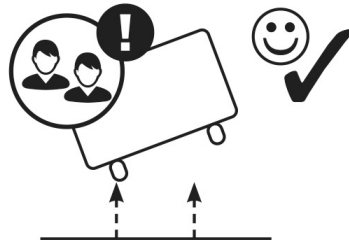
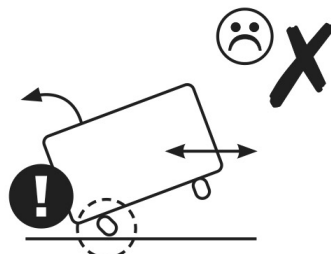
**A 2/3** (25,5 kg)





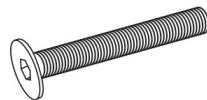

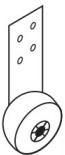
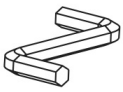
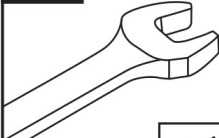
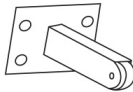



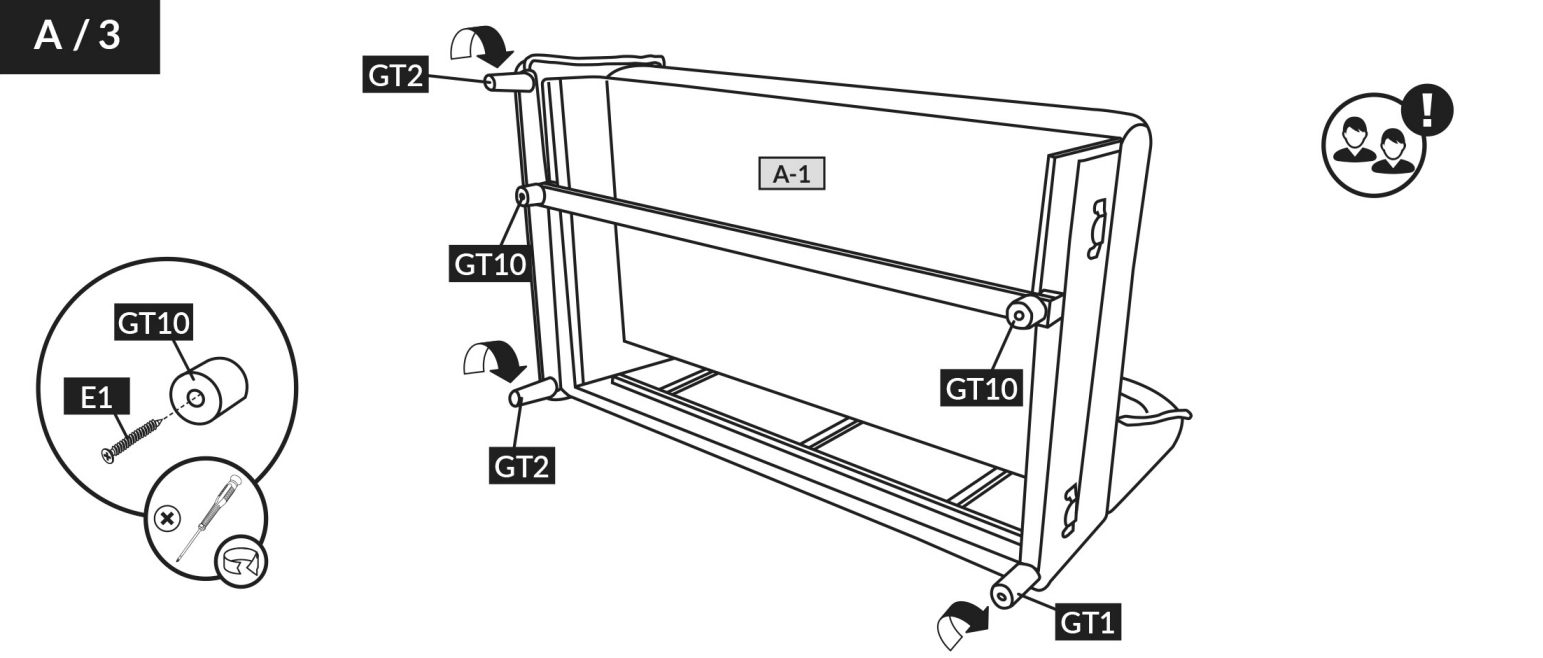
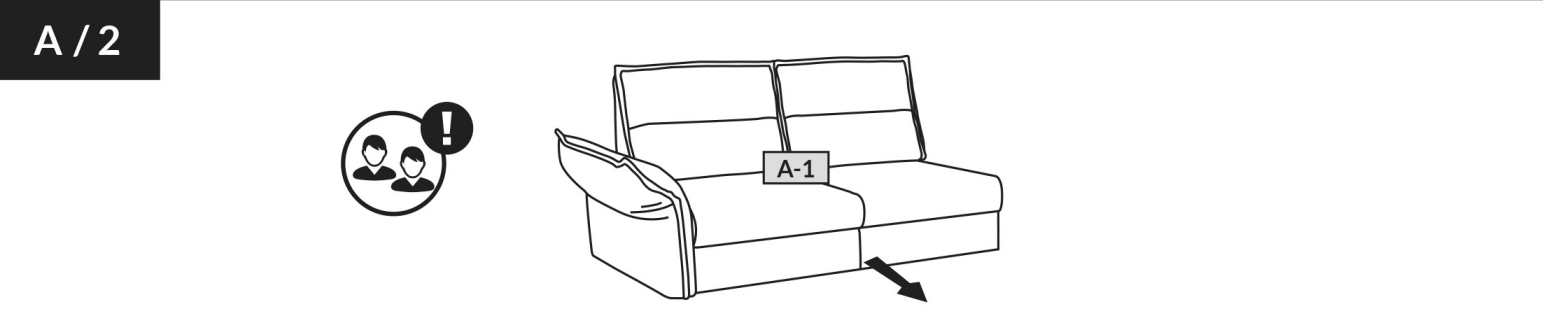
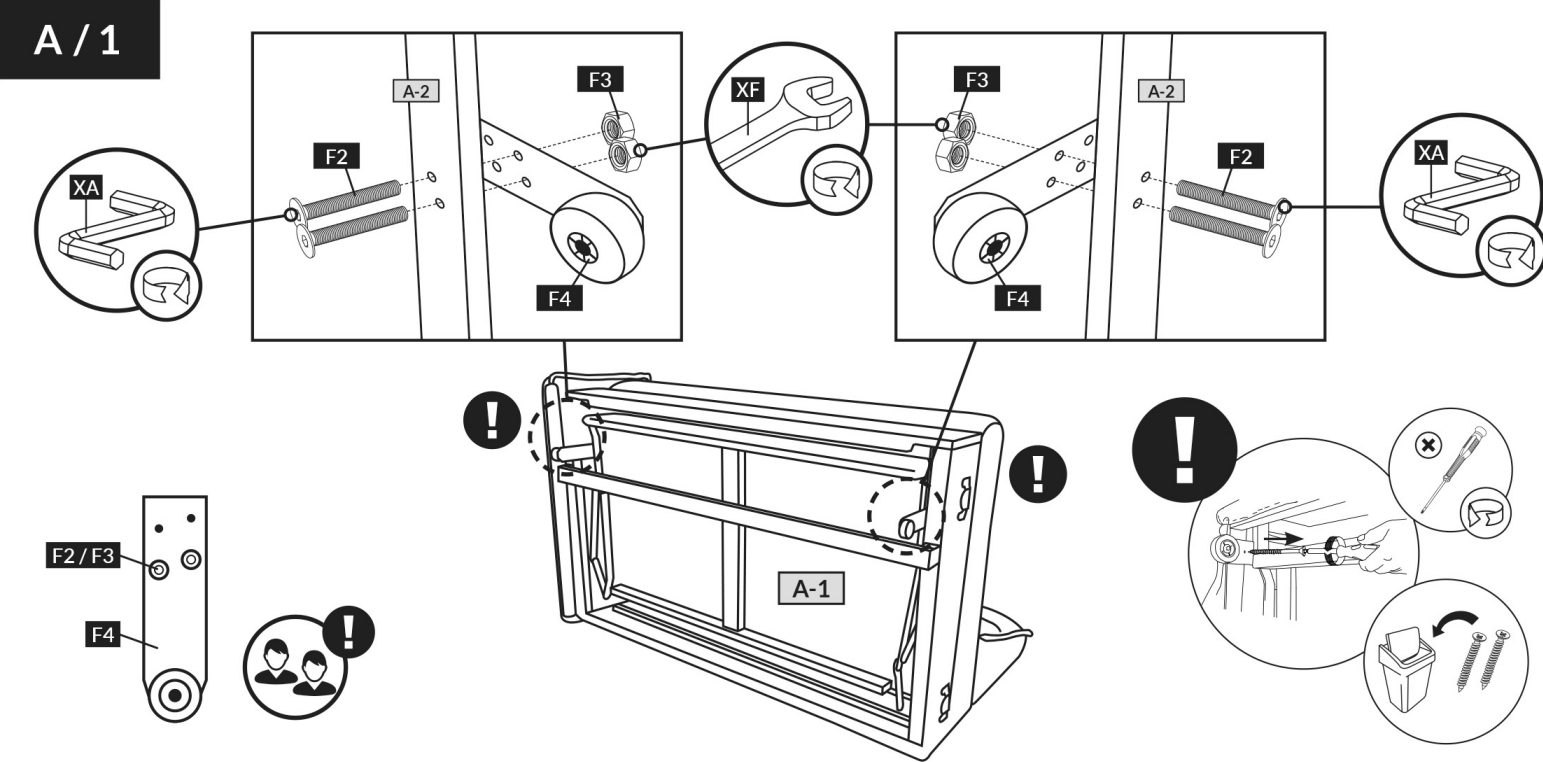
**A 3/3** (53,7 kg)



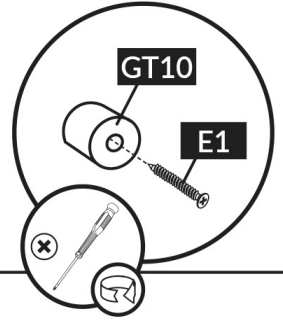
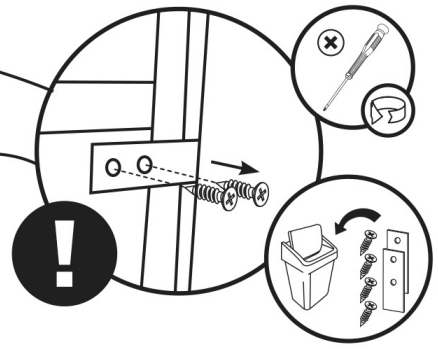
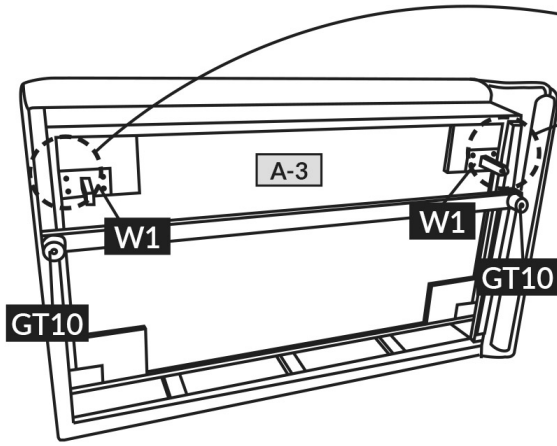
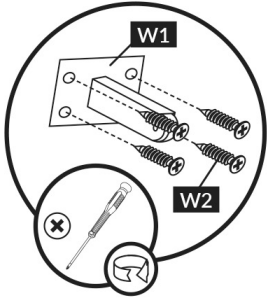
 45 min.



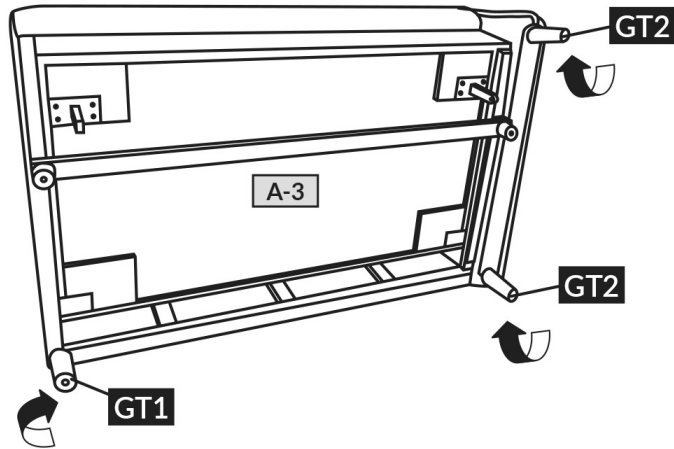
<b>E1</b>  5 x 40 mm x 4	<b>GT1</b>  L=10 cm x 5	<b>GT2</b>  L=10 cm x 5	<b>GT10</b>  L=4,5 cm x 4	<b>F2</b>  x 4	<b>F3</b>  x 4
<b>F4</b>  x 2	<b>XA</b>  x 1	<b>XF</b>  x 1	<b>W1</b>  x 2	<b>W2</b>  4 x 15 mm x 8	



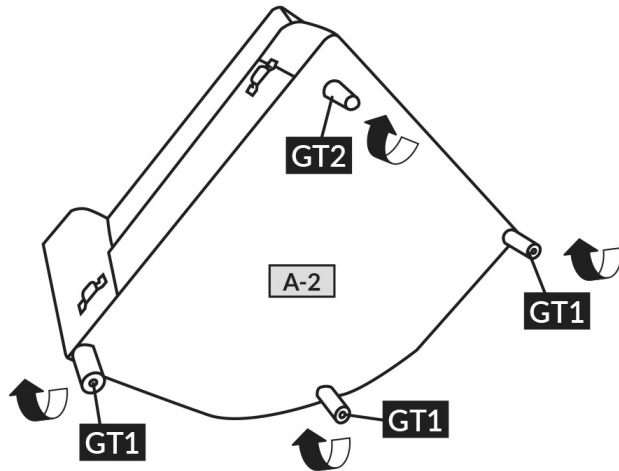
A / 4



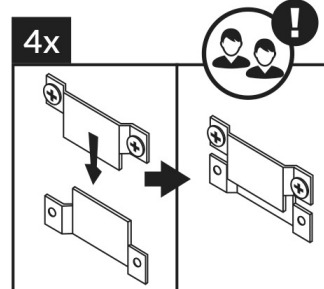
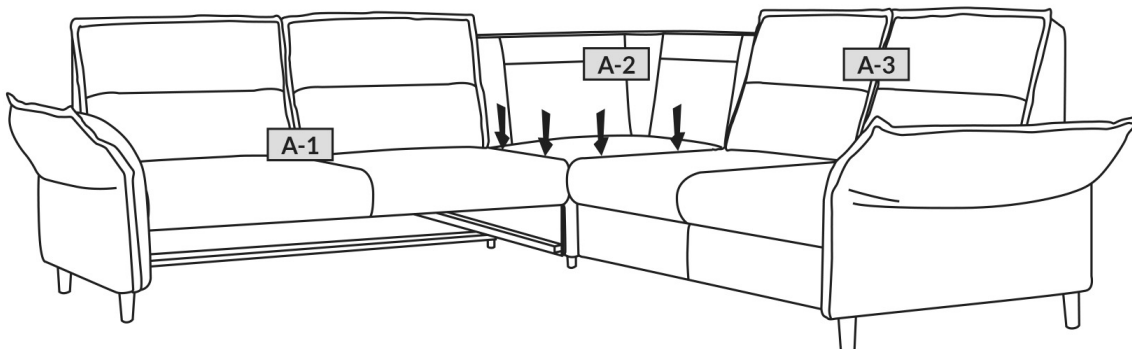
A / 5



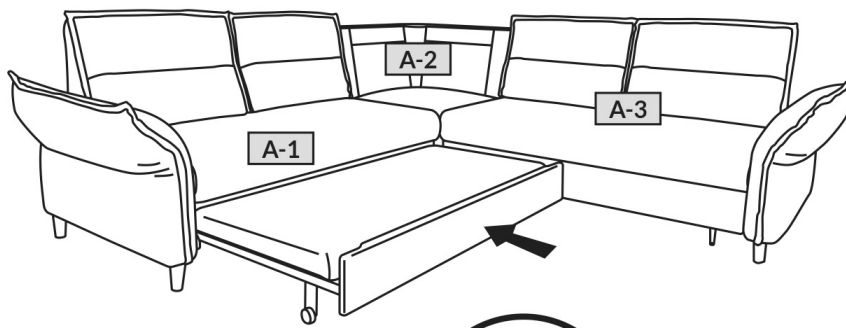
A / 6



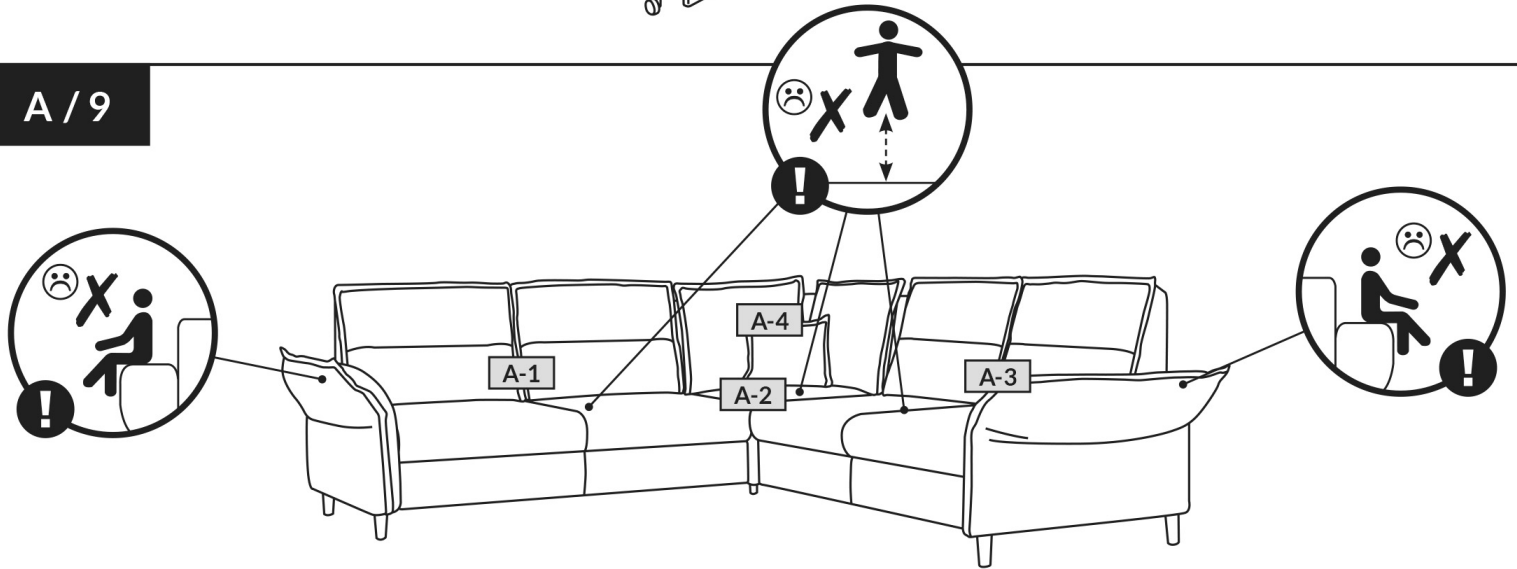
A / 7



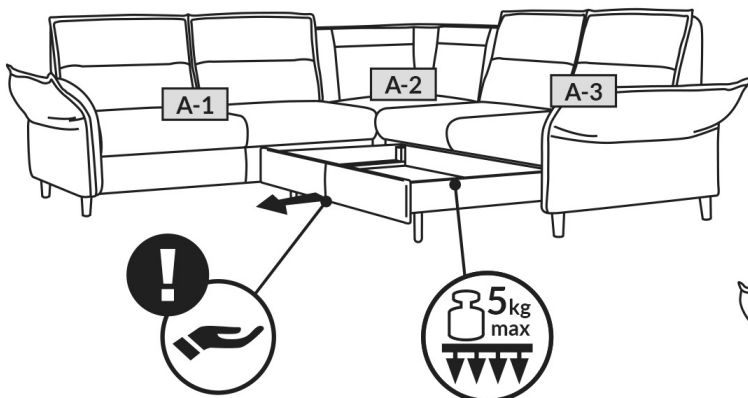
A / 8



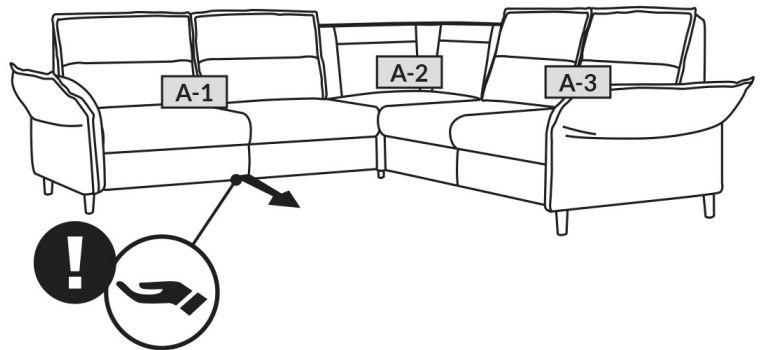
A / 9



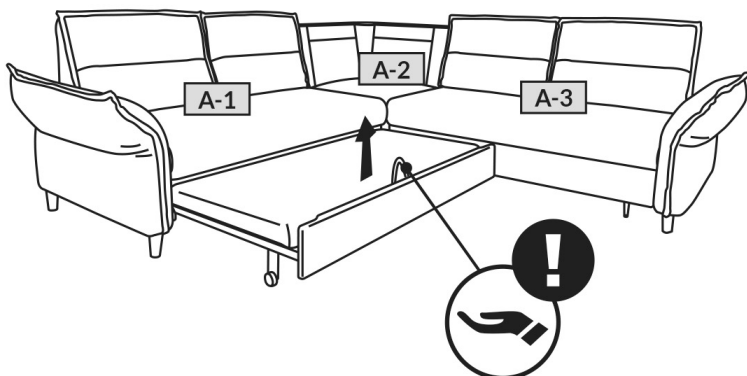
A / 1



A / 2



A / 3



A / 4

